

# Torsion Axle Order Form

Your Company & Phone Number:

\_\_\_\_\_

Your name: \_\_\_\_\_

Ship Via: \_\_\_\_\_

Sign here for approval of order:  
 \_\_\_\_\_

## Choose a Hub

Bolt Centers

	4"	4-1/2"	4-3/4"	5"	5-1/2"	6-1/2"	9.44"
Number of Studs	4						
	5						
	6						
	8						

## Required Information

Axle Style:  Half Axles  Full Axle (choose one)

A – Main Rail: Outside to Outside: \_\_\_\_\_

B – Hub Face to Hub Face: \_\_\_\_\_

C – Mounting Bolt Center: \_\_\_\_\_

D – Torsion Arm to Hub Face: \_\_\_\_\_

E – Torsion Arm (Axle center to spindle center): \_\_\_\_\_

Axle Quantity: \_\_\_\_\_

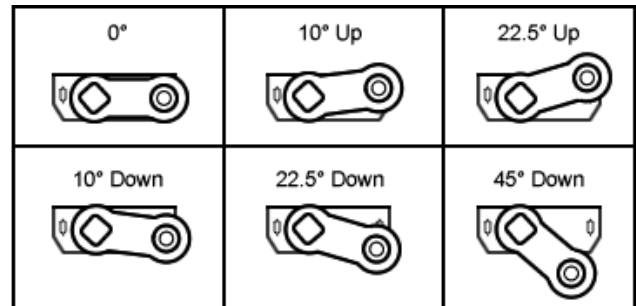
Axle Capacity: \_\_\_\_\_

Axle Type:  Brakes  Idler  Bare (choose one)

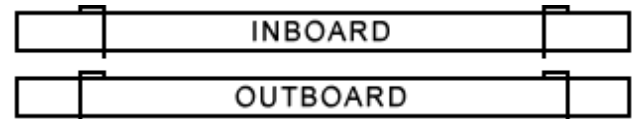
Electric  Hydraulic (choose one)

Mount Format:  Side Mount  Top Mount (choose one)  
 (See diagram below)

Quantity Required: \_\_\_\_\_

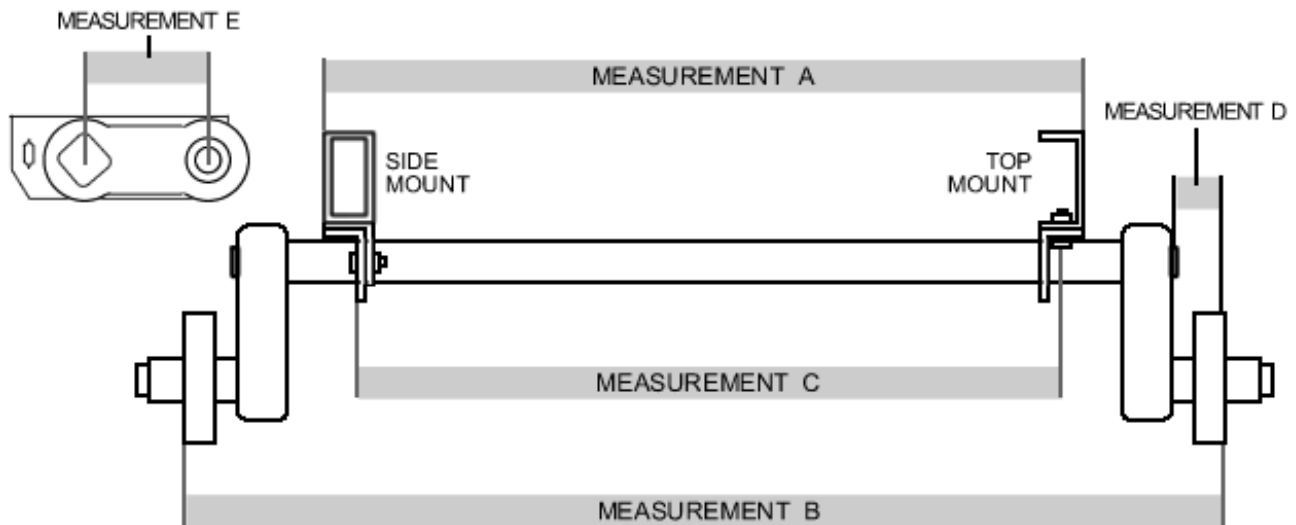


Axle Degrees \_\_\_\_\_ :  Up  Down (choose one)



Mounting Bracket Directions:

Inboard  Outboard (choose one)



## Special Notes:

- The Max. and Min. length between the hub face and outside mounting brackets is: Max. = 19.9", Min. = 9.5"
- Minimums are based on mfg. tolerances only. Some tire and wheel combinations may create interference
- Due to manufacturing differences, some adjustment may be required in mounting

**Fill this form out and fax it to us at (780) 461-3460**